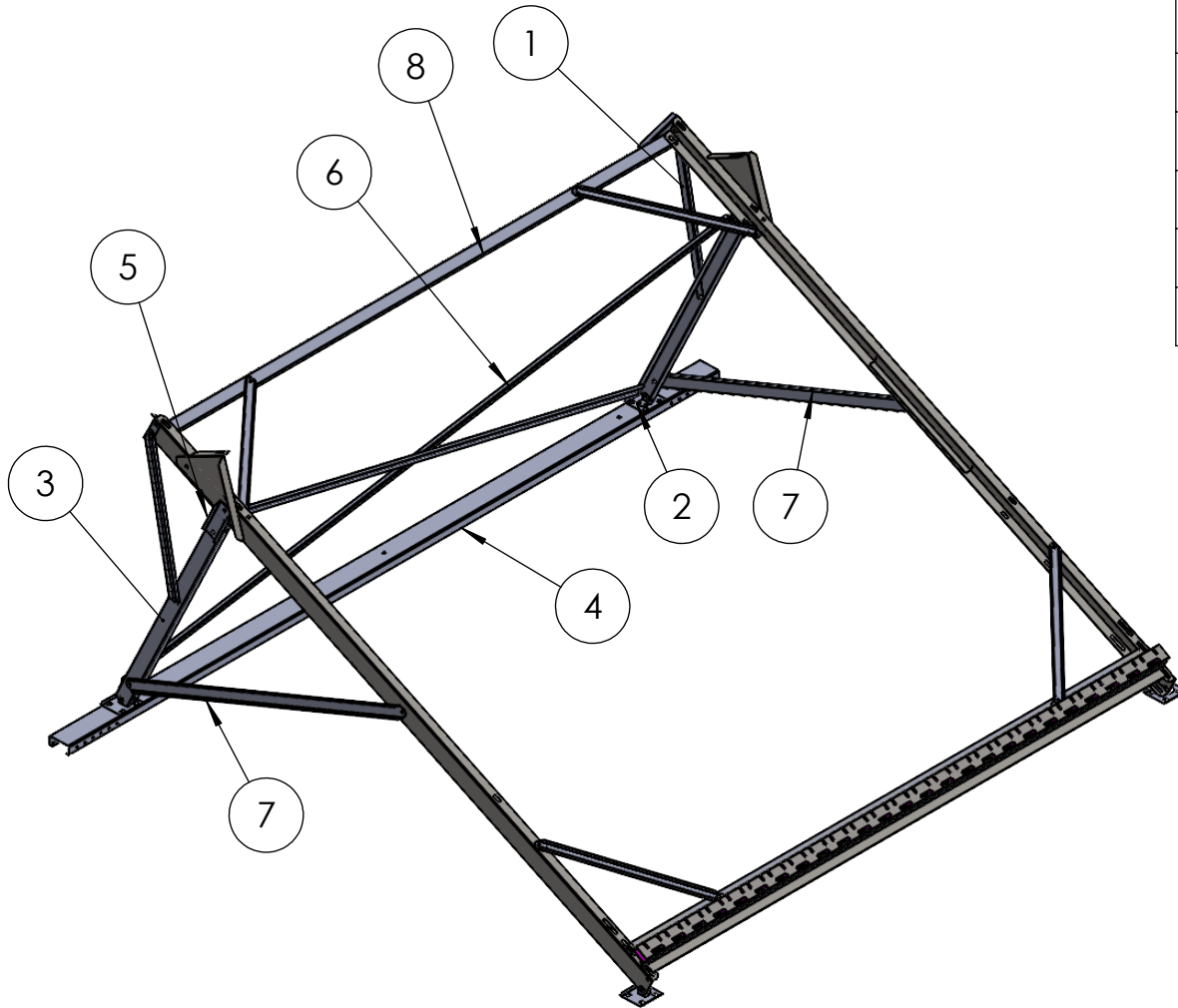


ITEM NO	DRAWING NUMBER	TITLE	QTY
1	SOL001-1022-17-001	LEG STRUT ANGLE	2
2	SOL001-1025-17-001	FOOT PIECE	2
3	SOL001-1030-17-001	LEFT LEG UPRIGHT	2
4	SOL001-1026-17-001	200L FOOT CHANNEL	1
5	SOL001-1029-17-001	LEG BOLT BRACE	2
6	SOL001-1028-17-001	BACK LEG X BEAM	2
7	SOL001-1031-17-001	MAIN BRACE	2
8	SOL001-1027-17-001	FLAT STAND BACK 200L	1



GENERAL TOLERANCES UNLESS OTHERWISE SPECIFIED

NOMINAL SIZE	DEVIATION	0	0.0	0.00
FROM 1 TO 3		+0.1	+0.1	+0.03
OVER 3 UP TO 6		+0.2	+0.1	+0.05
OVER 6 UP TO 30		+0.5	+0.2	+0.1
OVER 30 UP TO 120		+0.8	+0.3	+0.2
OVER 120 UP TO 400		+1.2	+0.8	+0.2
OVER 400 UP TO 1000		+2.0	+0.8	+0.5
OVER 1000 UP TO 2000		+3.0	+1.2	

DIMENSIONS ARE IN MILLIMETRES
DO NOT SCALE FROM DRAWING



TEL: (+27 11) 608 4429
FAX: (+27 11) 608 4430

SHEET SIZE - A4

CUSTOMER DRAWING NO:

CUSTOMER REVISION:

TITLE: 200L FLAT STAND

PROJECT:

CLIENT: SOLAR RAY

SCALE:

DATE: Wednesday, 03 May 2023 08:58:04

MATERIAL:

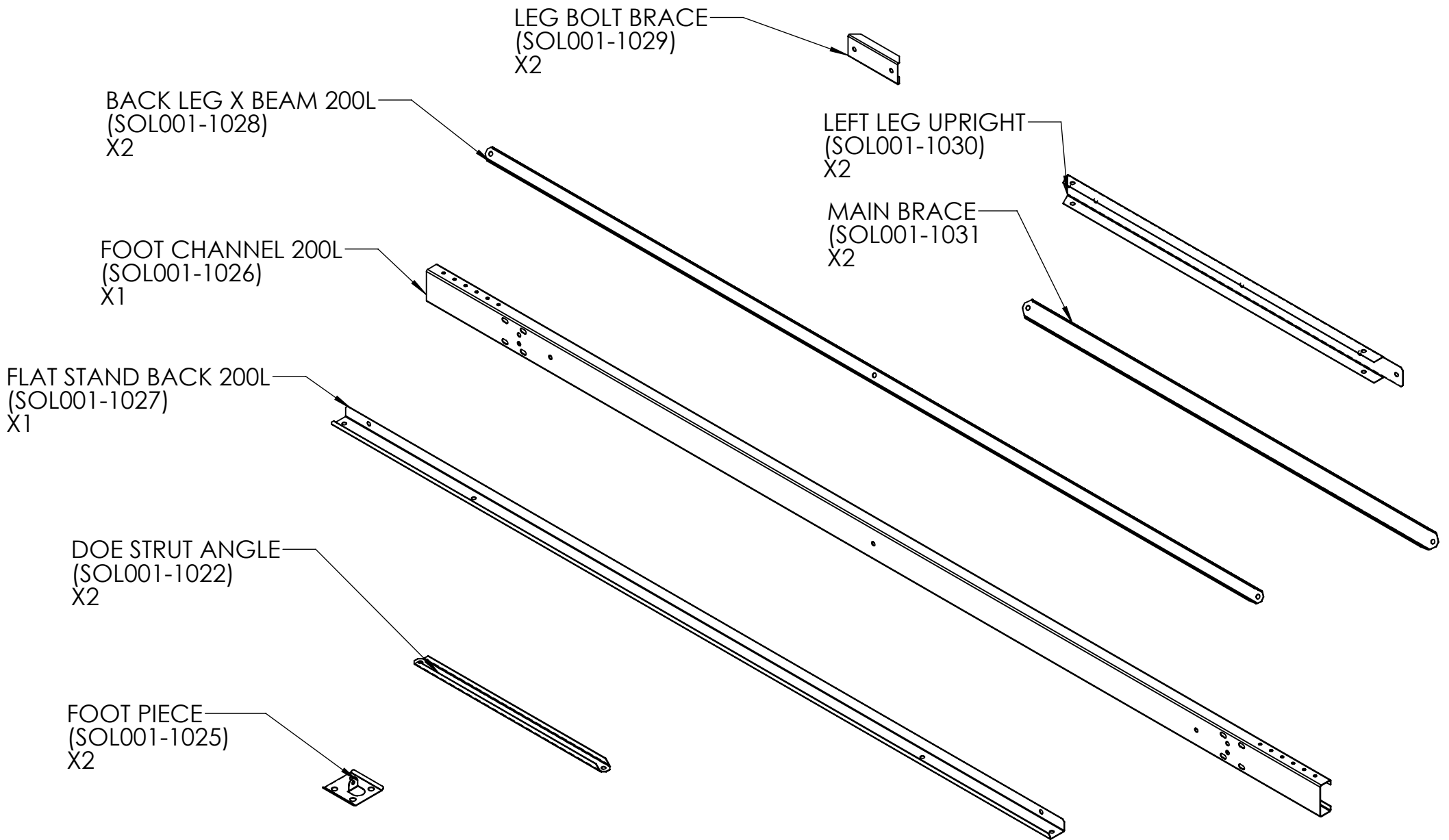
FINISH:

DRAWN: SIMONÉ

PROGRAM NO: 765-677-23

DRAWING NO: SOL001-1003-01-001

REVISION



GENERAL TOLERANCES UNLESS OTHERWISE SPECIFIED

NOMINAL SIZE	DEVIATION	0	0.0	0.00
FROM 1 TO 3	+0.1	+0.1	+0.03	
OVER 3 UP TO 6	+0.2	+0.1	+0.05	
OVER 6 UP TO 30	+0.5	+0.2	+0.1	
OVER 30 UP TO 120	+0.8	+0.3	+0.2	
OVER 120 UP TO 400	+1.2	+0.8	+0.2	
OVER 400 UP TO 1000	+2.0	+0.8	+0.5	
OVER 1000 UP TO 2000	+3.0	+1.2		

DIMENSIONS ARE IN MILLIMETRES
DO NOT SCALE FROM DRAWING



TEL: (+27 11) 608 4429
FAX: (+27 11) 608 4430

SHEET SIZE - A4

TITLE: SOL001-1003-01-001 200L FLAT STAND

PROJECT:

CLIENT: SOLAR RAY

SCALE:

DATE: Wednesday, 03 May 2023 09:23:40

MATERIAL:

FINISH:

DRAWN: SIMONÉ

PROGRAM NO: 765-677-23

DRAWING NO: SOL001-1003-01-001

REVISION

0

