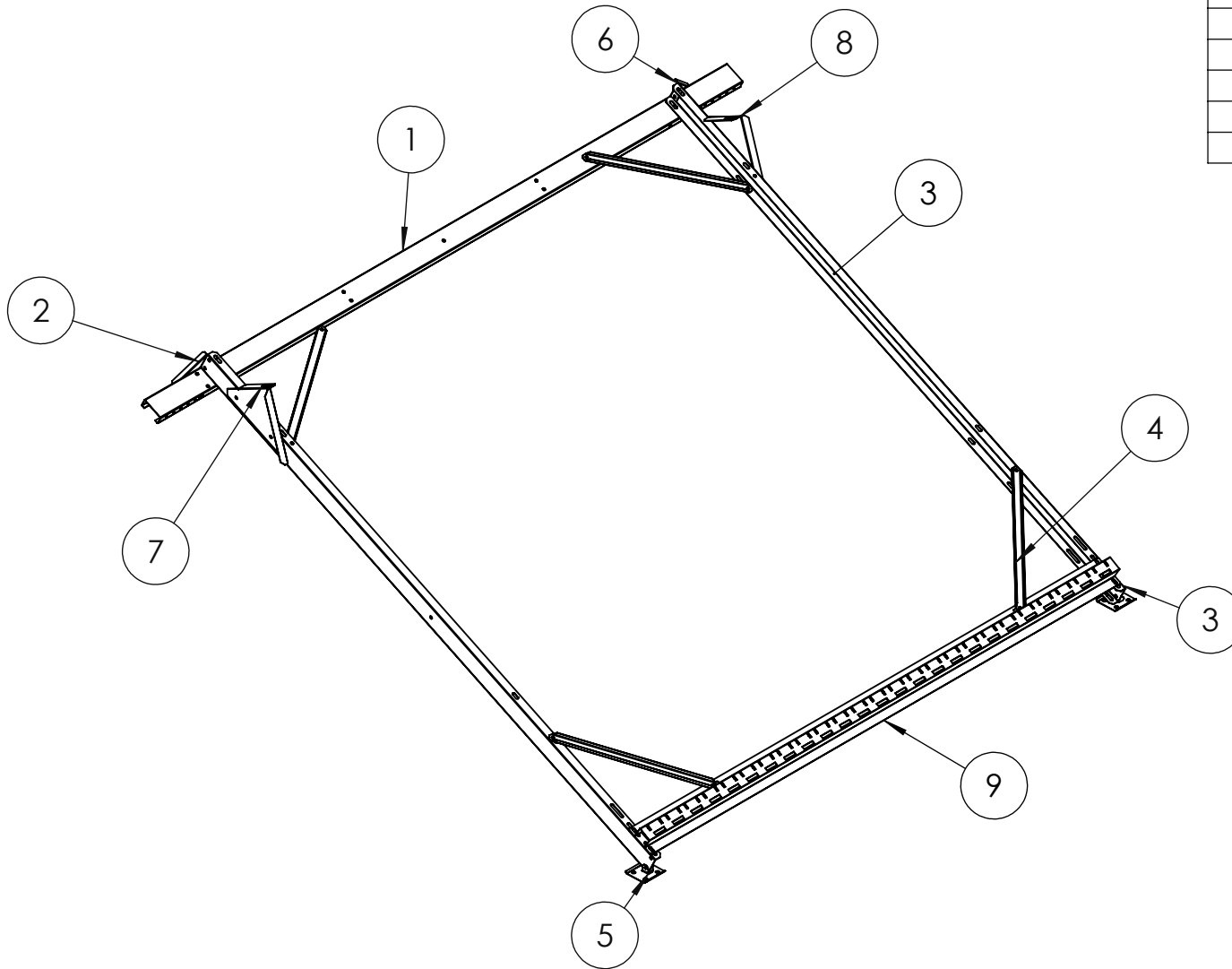


ITEM	PART NUMBER	DESCRIPTION	QTY
1	SOL001-1019-17-001	FOOT CHANNEL 200L	1
2	SOL001-1023-17-001	SMALL ANGLE	1
3	SOL001-1021-17-001	SIDE SUPPORT	2
4	SOL001-1022-17-001	LEG STRUT ANGLE	4
5	SOL001-1025-17-001	FOOT PIECE	2
6	MIR SOL001-1023-17-001	SMALL ANGLE	1
7	SOL001-1014-17-001	LARGE ANGLE RH	1
8	SOL001-1014-17-001	LARGE ANGLE LH	1
9	SOL001-1076-17-001	200L TUBE HOLDER NEW	1



GENERAL TOLERANCES UNLESS OTHERWISE SPECIFIED

NOMINAL SIZE	DEVIATION	0	0.0	0.00
FROM 1 TO 3		+0.1	+0.1	+0.03
OVER 3 UP TO 6		+0.2	+0.1	+0.05
OVER 6 UP TO 30		+0.5	+0.2	+0.1
OVER 30 UP TO 120		+0.8	+0.3	+0.2
OVER 120 UP TO 400		+1.2	+0.8	+0.2
OVER 400 UP TO 1000		+2.0	+0.8	+0.5
OVER 1000 UP TO 2000		+3.0	+1.2	

DIMENSIONS ARE IN MILLIMETRES  
DO NOT SCALE FROM DRAWING



TEL: (+27 11) 608 4429  
FAX: (+27 11) 608 4430

SHEET SIZE - A4

CUSTOMER DRAWING NO:

CUSTOMER REVISION:

TITLE: 200L PITCHED STAND

PROJECT:

CLIENT: SOLAR RAY

SCALE:

DATE: Tuesday, 02 May 2023 10:57:06

MATERIAL:

FINISH:

DRAWN: SIMONÉ

PROGRAM NO: 765-674-23

DRAWING NO: SOL001-1008-01-001

REVISION

FOOT CHANNEL 200L  
(SOL001-1019)  
X1

SMALL ANGLE  
(SOL001-1023)  
L+R

LARGE ANGLE  
(SOL001-1014)  
L+R

TUBE HOLDER 200L  
(SOL001-1076)  
X1

FOOT PIECE  
(SOL001-1025)  
X2

SIDE SUPPORT  
(SOL001-1021)  
X2

DOE LEG STRUT ANGLE  
(SOL001-1022)  
X4

GENERAL TOLERANCES UNLESS OTHERWISE SPECIFIED

NOMINAL SIZE	DEVIATION	0	0.0	0.00
FROM 1 TO 3		+0.1	+0.1	+0.03
OVER 3 UP TO 6		+0.2	+0.1	+0.05
OVER 6 UP TO 30		+0.5	+0.2	+0.1
OVER 30 UP TO 120		+0.8	+0.3	+0.2
OVER 120 UP TO 400		+1.2	+0.8	+0.2
OVER 400 UP TO 1000		+2.0	+0.8	+0.5
OVER 1000 UP TO 2000		+3.0	+1.2	



TEL: (+27 11) 608 4429  
FAX: (+27 11) 608 4430

SHEET SIZE - A4

DIMENSIONS ARE IN MILLIMETRES  
DO NOT SCALE FROM DRAWING



TITLE: SOL001-1008-01-001 200L PITCHED STAND

PROJECT:

CLIENT: SOLAR RAY

SCALE:

DATE: Tuesday, 02 May 2023 11:21:20

MATERIAL:

FINISH:

DRAWN: SIMONÉ

PROGRAM NO: 765-674-23

DRAWING NO: SOL001-1008-01-001

REVISION

0

