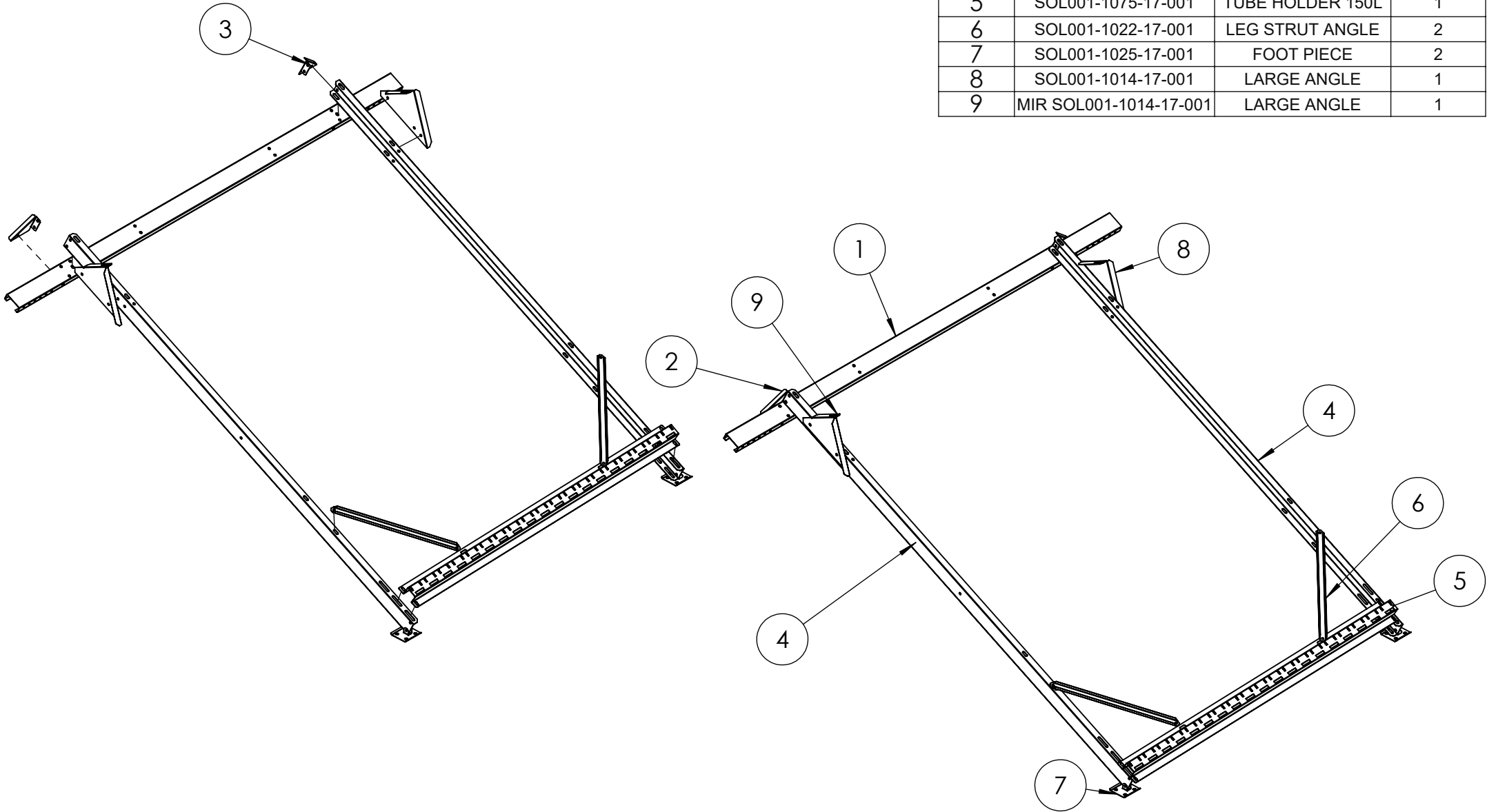


PITCHED ROOF STAND

ITEM	PART NUMBER	DESCRIPTION	QTY
1	SOL001-1020-17-001	FOOT CHANNEL 150L	1
2	SOL001-1023-17-001	SMALL ANGLE	1
3	MIR SOL001-1023-17-001	SMALL ANGLE	1
4	SOL001-1021-17-001	SIDE SUPPORT	2
5	SOL001-1075-17-001	TUBE HOLDER 150L	1
6	SOL001-1022-17-001	LEG STRUT ANGLE	2
7	SOL001-1025-17-001	FOOT PIECE	2
8	SOL001-1014-17-001	LARGE ANGLE	1
9	MIR SOL001-1014-17-001	LARGE ANGLE	1



FOOT CHANNEL 150L
(SOL001-1020)
X1

SMALL ANGLE
(SOL001-1023)
L+R

LARGE ANGLE
(SOL001-1014)
L+R

TUBE HOLDER 150L
(SOL001-1075)
X1

SIDE SUPPORT
(SOL001-1021)
X2

DOE LEG STRUT ANGLE
(SOL001-1022)
X2

FOOT PIECE
(SOL001-1025)
X2

