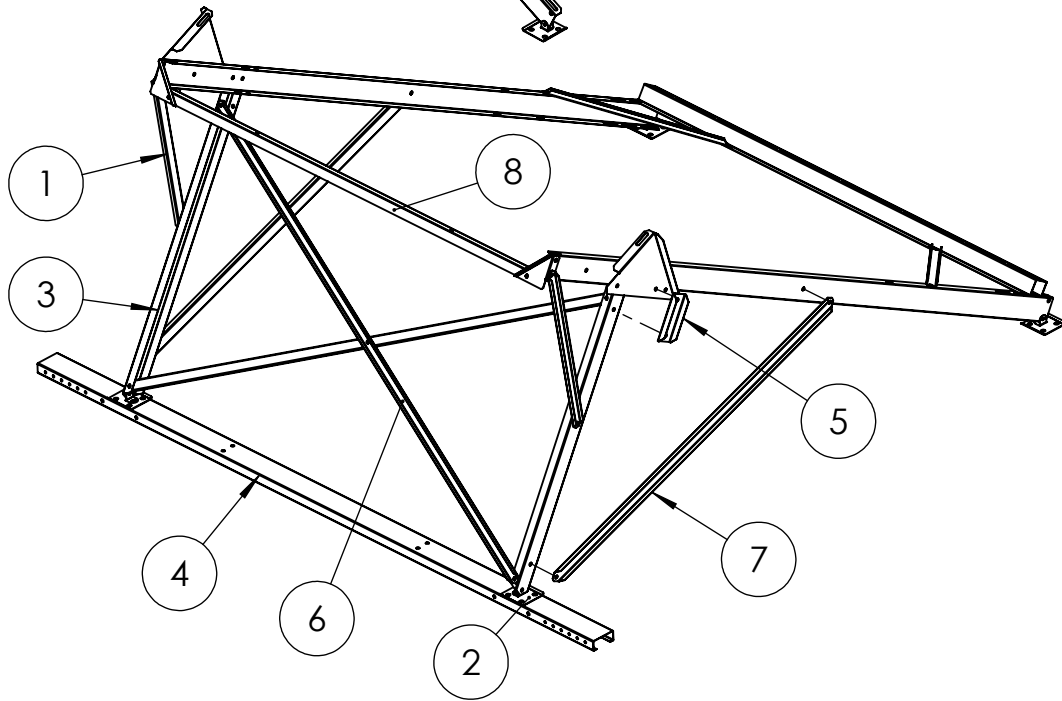
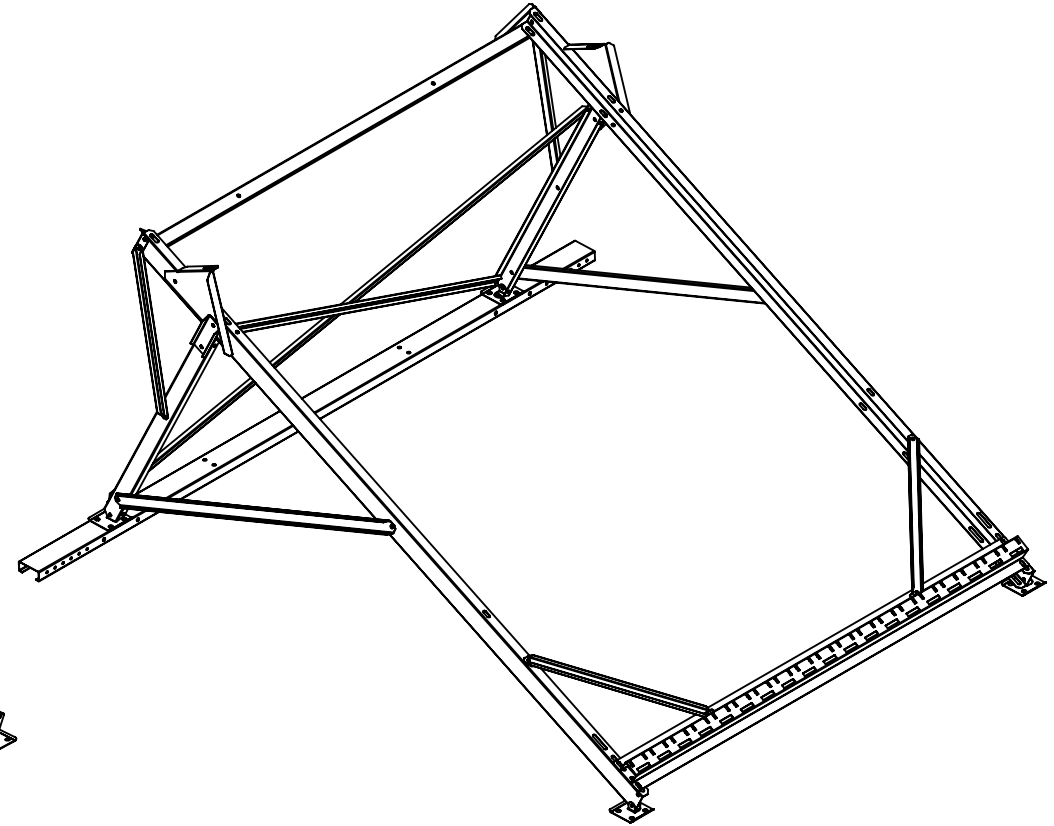
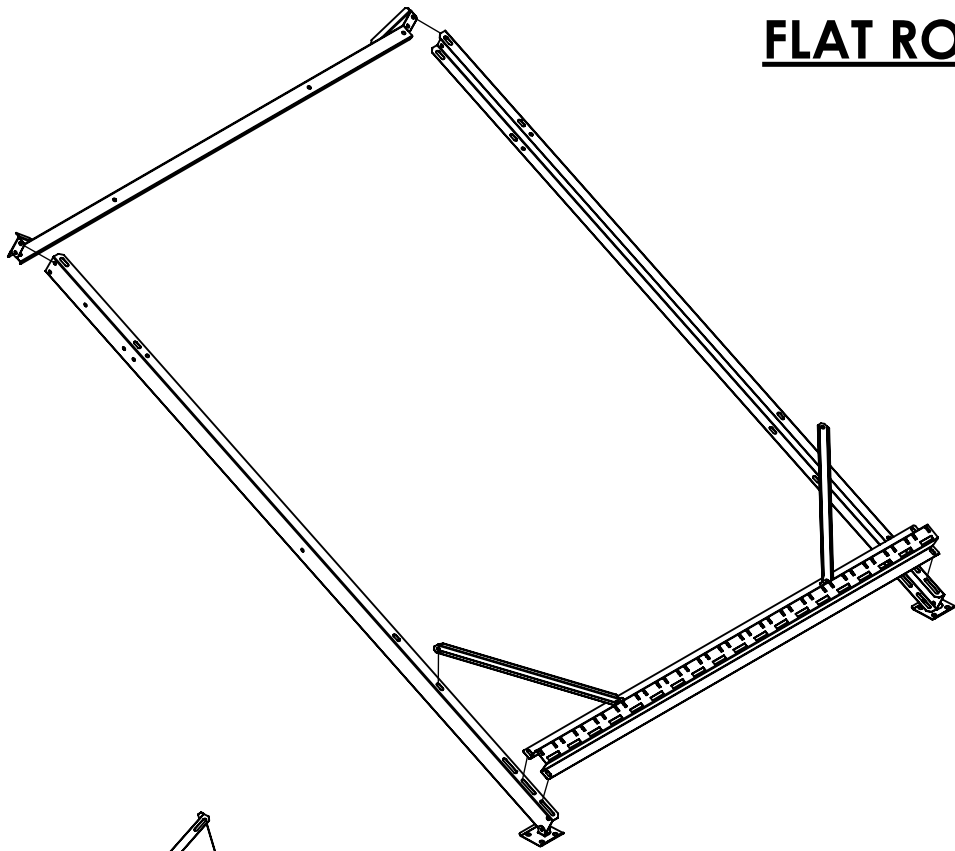


FLAT ROOF STAND

ITEM NO	DRAWING NO	TITLE	QTY
1	SOL001-1022-17-001	LEG STRUT ANGLE	2
2	SOL001-1025-17-001	FOOT PIECE	2
3	SOL001-1030-17-001	LEFT LEG UPRIGHT	2
4	SOL001-1020-17-001	FOOT CHANNEL 150L	1
5	SOL001-1029-17-001	LEG BOLT BRACE	2
6	SOL001-1033-17-001	BACK LEG X BEAM	2
7	SOL001-1031-17-001	MAIN BRACE	2
8	SOL001-1032-17-001	FLAT STAND BACK 150L	1



LEG BOLT BRACE
(SOL001-1029)
X2

LEFT LEG UPRIGHT
(SOL001-1030)
X2

MAIN BRACE
(SOL001-1031)
X2

BACK LEG X BEAM 150L
(SOL001-1033)
X2

FLAT STAND BACK 150L
(SOL001-1032)
X1

FOOT CHANNEL 150L
(SOL001-1020)
X1

STRUT ANGLE
(SOL001-1022)
X2

FOOT PIECE
(SOL001-1025)
X2

