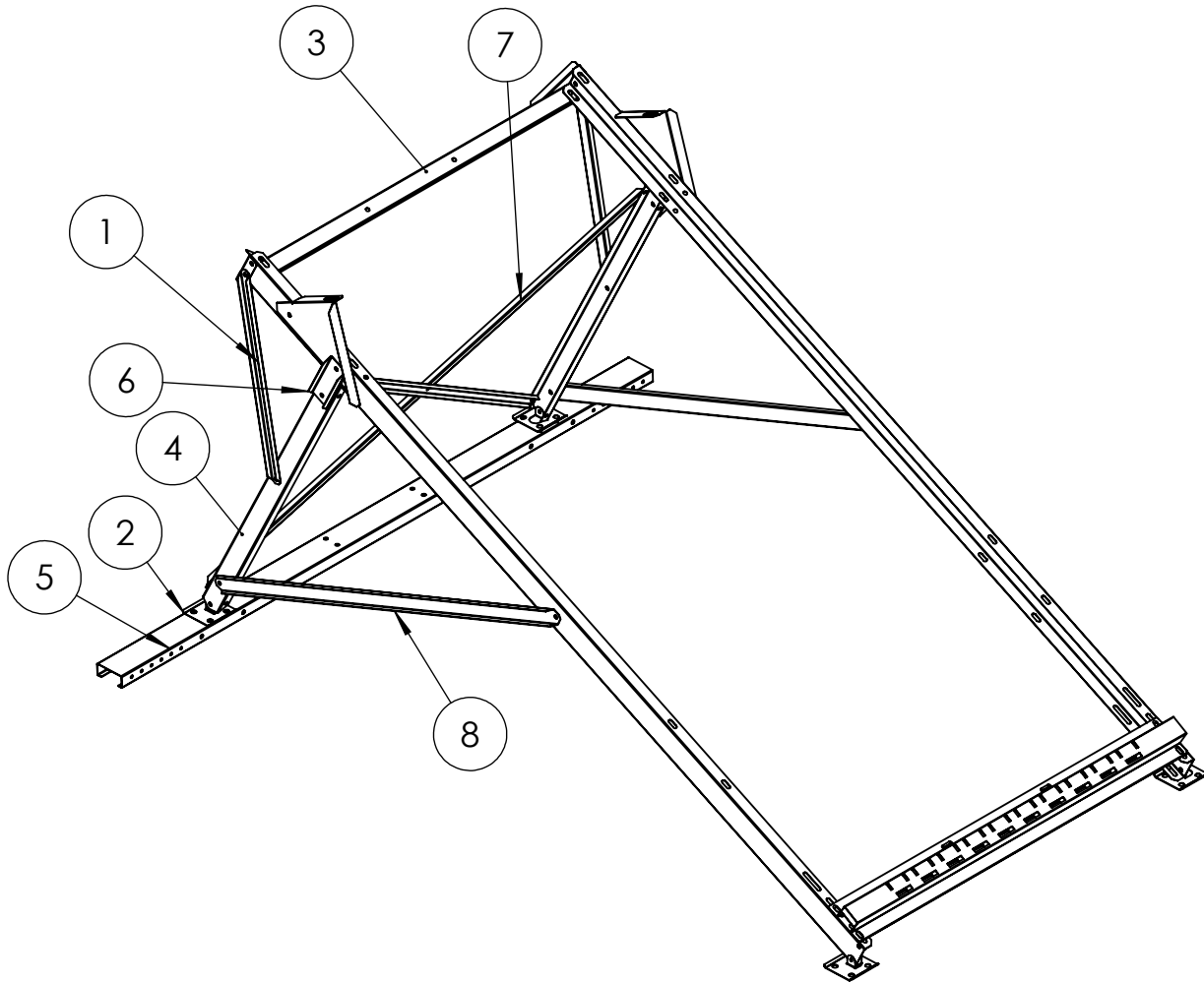


ITEM	PART NUMBER	DESCRIPTION	QTY
1	SOL001-1022-17-001	LEG STRUT ANGLE	2
2	SOL001-1025-17-001	FOOT PIECE	2
3	SOL001-1034-17-001	FLAT STAND BACK 100L	1
4	SOL001-1030-17-001	LEFT LEG UPRIGHT	2
5	SOL001-1016-17-001	FOOT CHANNEL	1
6	SOL001-1029-17-001	LEG BOLT BRACE	2
7	SOL001-1035-17-001	X BEAM	2
8	SOL001-1031-17-001	MAIN BRACE	2



GENERAL TOLERANCES UNLESS OTHERWISE SPECIFIED

NOMINAL SIZE	DEVIATION	0	0.0	0.00
FROM 1 TO 3		+0.1	+0.1	+0.03
OVER 3 UP TO 6		+0.2	+0.1	+0.05
OVER 6 UP TO 30		+0.5	+0.2	+0.1
OVER 30 UP TO 120		+0.8	+0.3	+0.2
OVER 120 UP TO 400		+1.2	+0.8	+0.2
OVER 400 UP TO 1000		+2.0	+0.8	+0.5
OVER 1000 UP TO 2000		+3.0	+1.2	

DIMENSIONS ARE IN MILLIMETRES
DO NOT SCALE FROM DRAWING

THIRD ANGLE



TEL: (+27 11) 608 4429
FAX: (+27 11) 608 4430

SHEET SIZE - A4

CUSTOMER DRAWING NO:

CUSTOMER REVISION:

REVISION

TITLE: 100L FLAT STAND

PROJECT:

CLIENT: SOLAR RAY

SCALE:

DATE: Wednesday, 03 May 2023 11:07:15

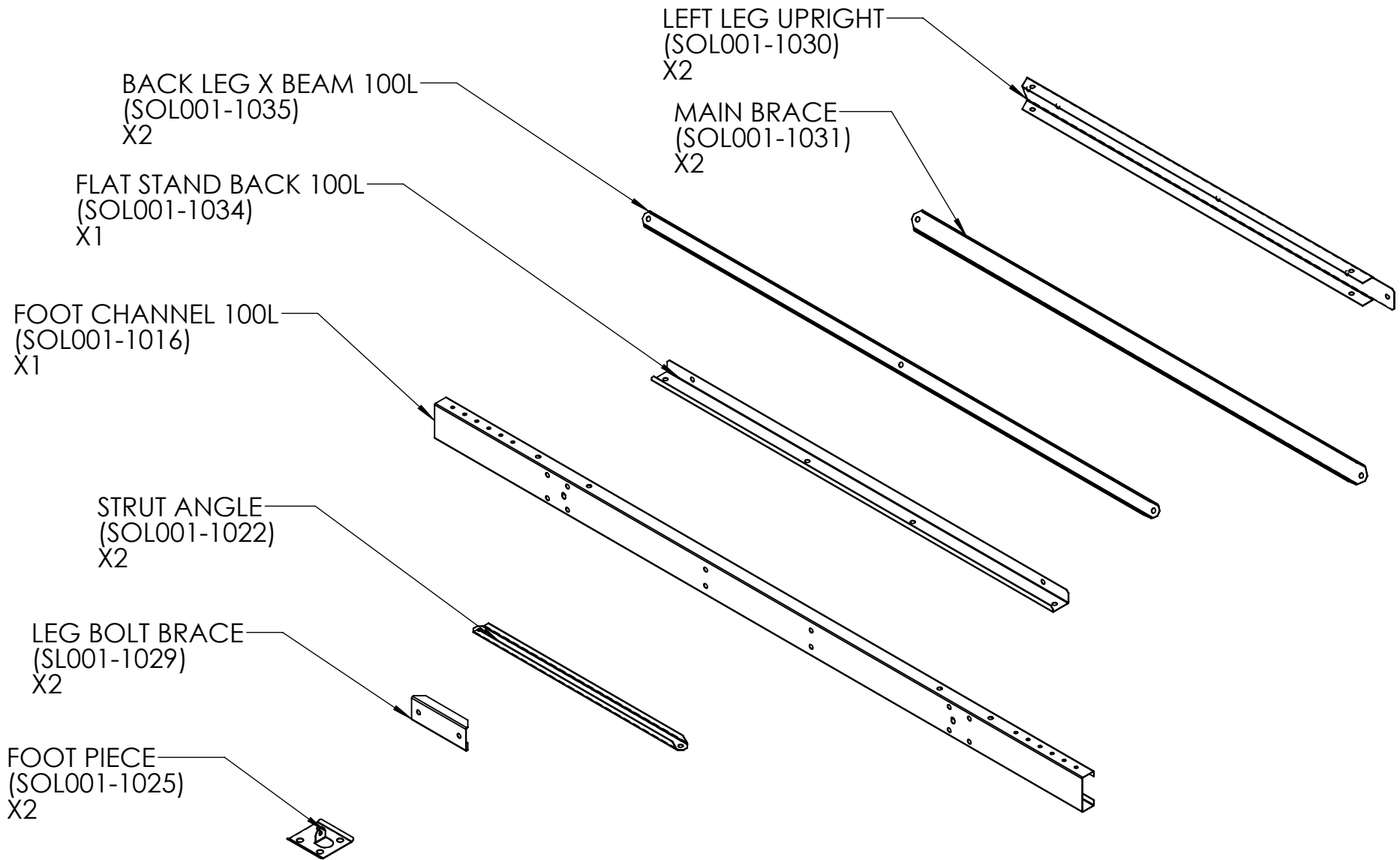
MATERIAL:

FINISH:

DRAWN: SIMONÉ

PROGRAM NO: 765-679-23

DRAWING NO: SOL001-1005-01-001



GENERAL TOLERANCES UNLESS OTHERWISE SPECIFIED

NOMINAL SIZE	DEVIATION	0	0.0	0.00
FROM 1 TO 3		+0.1	+0.1	+0.03
OVER 3 UP TO 6		+0.2	+0.1	+0.05
OVER 6 UP TO 30		+0.5	+0.2	+0.1
OVER 30 UP TO 120		+0.8	+0.3	+0.2
OVER 120 UP TO 400		+1.2	+0.8	+0.2
OVER 400 UP TO 1000		+2.0	+0.8	+0.5
OVER 1000 UP TO 2000		+3.0	+1.2	

DIMENSIONS ARE IN MILLIMETRES
DO NOT SCALE FROM DRAWING



TEL: (+27 11) 608 4429
FAX: (+27 11) 608 4430

SHEET SIZE - A4

TITLE: SOL001-1005-01-001 100L FLAT STAND

PROJECT:

CLIENT: SOLAR RAY

SCALE:

DATE: Wednesday, 03 May 2023 09:23:40

MATERIAL:

FINISH:

DRAWN: SIMONÉ

PROGRAM NO: 765-679-23

DRAWING NO: SOL001-1005-01-001

REVISION

0

CUSTOMER : SOLAR RAY

DESCRIPTION :100L FLAT STAND

DATE :

JOBNO:

QTY:

ITEM NO.	DRAWING NO	TITLE	REVISION	REVISION DATE	QYT OF ASSEMBLY	TOTAL AMOUNT OF PARTS	QTY PER UNIT	LASER	PUNCH	GUILLO/NOTCH	BENDING	CUT TO LENGTH	ROLLING	TOOL ROOM	WELD STUDS	INSERTS	SPOTWELD	WELD	FABRICATION	PAINTSHOP	PLATING	MATERIAL-1
1	SOL001-1022-17-001	LEG STRUT ANGLE				0	2		1		2									3		0.8 GALV
2	SOL001-1025-17-001	FOOT PIECE				0	2		1		2									3		1.6 GALV
3	SOL001-1034-17-001	FLAT STAND BACK 100L				0	1		1		2									3		
4	SOL001-1030-17-001	LEFT LEG UPRIGHT				0	2		1		2									3		0.8 GALV
5	SOL001-1016-17-001	FOOT CHANNEL	1			0	1		1		2									3		
6	SOL001-1029-17-001	LEG BOLT BRACE				0	2		1		2									3		0.8 GALV
7	SOL001-1035-17-001	X BEAM				0	2		1		2									3		
8	SOL001-1031-17-001	MAIN BRACE				0	2		1		2									3		0.8 GALV