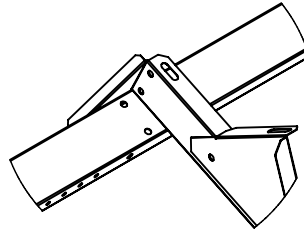
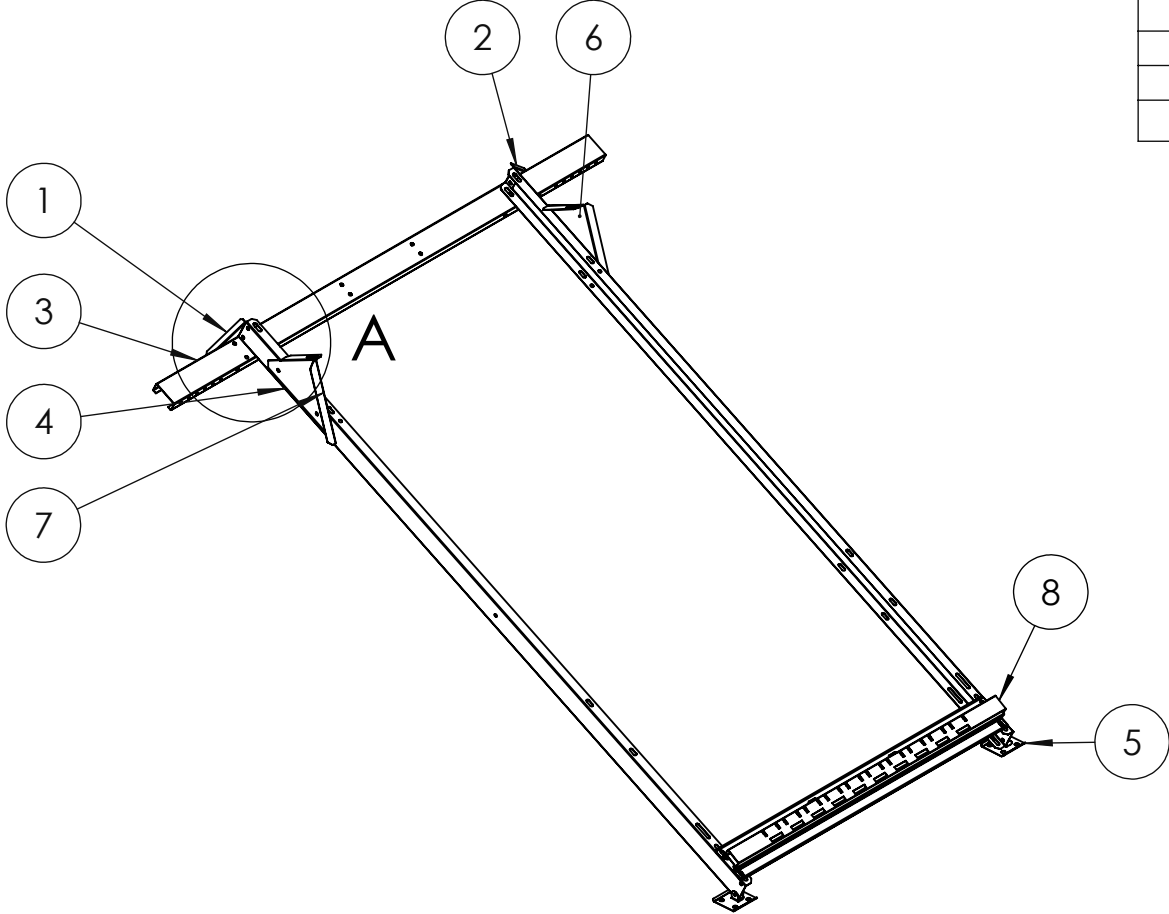


ITEM	PART NUMBER	DESCRIPTION	QTY
1	SOL001-1023-17-001	SMALL ANGLE	1
2	MIR SOL001-1023-17-001	SMALL ANGLE	1
3	SOL001-1021-17-001	SIDE SUPPORT	2
4	SOL001-1025-17-001	FOOT PIECE	2
5	SOL001-1014-17-001	LARGE ANGLE	1
6	MIR SOL001-1014-17-001	LARGE ANGLE	1
7	SOL001-1012-17-001	TUBE HOLDER 100L HP 10 TUBE	1
8	SOL001-1077-17-001	100L FOOT CHANNEL	1



**DETAIL A**  
 SMALL ANGLE BRACKET  
 TO BE BOLTED OUTWARD  
 TO GET ACCESS TO THE BOLTS

GENERAL TOLERANCES UNLESS OTHERWISE SPECIFIED				
NOMINAL SIZE	DEVIATION	0	0.0	0.00
FROM 1 TO 3	+0.1	+0.1	+0.03	
OVER 3 UP TO 6	+0.2	+0.1	+0.05	
OVER 6 UP TO 30	+0.5	+0.2	+0.1	
OVER 30 UP TO 120	+0.8	+0.3	+0.2	
OVER 120 UP TO 400	+1.2	+0.8	+0.2	
OVER 400 UP TO 1000	+2.0	+0.8	+0.5	
OVER 1000 UP TO 2000	+3.0	+1.2		

THIRD ANGLE  
 DIMENSIONS ARE IN MILLIMETRES  
 DO NOT SCALE FROM DRAWING

**PRESS DYNAMIK**  
 TEL: (+27 11) 608 4429  
 FAX: (+27 11) 608 4430

SHEET SIZE - A4

CUSTOMER DRAWING NO:	
CUSTOMER REVISION:	
REVISION	

TITLE: 100L PITCHED STAND
PROJECT:
CLIENT: SOLAR RAY
SCALE:
DATE: Tuesday, 02 May 2023 15:08:41

MATERIAL:
FINISH:
DRAWN: SIMONÉ
PROGRAM NO: 765-676-23
DRAWING NO: SOL001-1006-01-001

FOOT CHANNEL 100L  
(SOL001-1016)  
X1

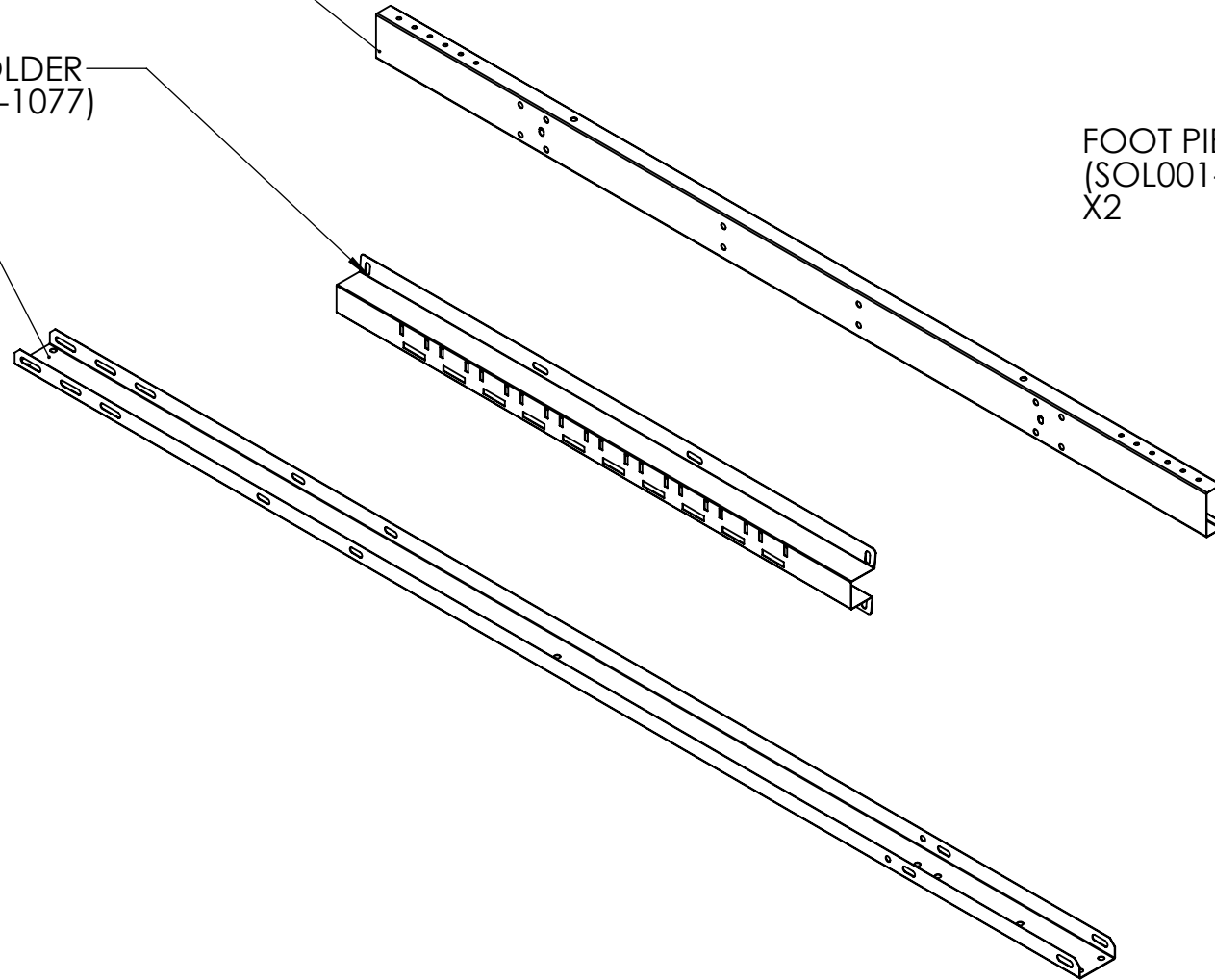
SMALL ANGLE  
(SOL001-1023)  
L+R

LARGE ANGLE  
(SOL001-1014)  
L+R

TUBE HOLDER  
(SOL001-1077)  
X1

FOOT PIECE  
(SOL001-1025)  
X2

SIDE SUPPORT  
(SOL001-1021)  
X2



GENERAL TOLERANCES UNLESS  
OTHERWISE SPECIFIED

NOMINAL SIZE	DEVIATION	0	0.0	0.00
FROM 1 TO 3	+0.1	+0.1	+0.03	
OVER 3 UP TO 6	+0.2	+0.1	+0.05	
OVER 6 UP TO 30	+0.5	+0.2	+0.1	
OVER 30 UP TO 120	+0.8	+0.3	+0.2	
OVER 120 UP TO 400	+1.2	+0.8	+0.2	
OVER 400 UP TO 1000	+2.0	+0.8	+0.5	
OVER 1000 UP TO 2000	+3.0	+1.2		

DIMENSIONS ARE IN MILLIMETRES  
DO NOT SCALE FROM DRAWING



**3D PRESS  
DYNAMIK**

TEL: (+27 11) 608 4429  
FAX: (+27 11) 608 4430

SHEET SIZE - A4

TITLE: SOL001-1006-01-001 100L PITCHED STAND

PROJECT:

CLIENT: SOLAR RAY

SCALE:

DATE: Tuesday, 02 May 2023 11:21:20

MATERIAL:

FINISH:

DRAWN: SIMONÉ

PROGRAM NO: 765-676-23

DRAWING NO: SOL001-1006-01-001

REVISION

0

CUSTOMER : SOLAR RAY

DESCRIPTION :100L PITCHED STAND

DATE :

JOBNO:

QTY:

ITEM NO.	DRAWING NO	PART NAME	REVISION	REVISION DATE	QYT OF ASSEMBLY	TOTAL AMOUNT OF PARTS	QTY PER UNIT	LASER	PUNCH	GUILLO/NOTCH	BENDING	CUT TO LENGTH	ROLLING	TOOL ROOM	WELD STUDS	INSERTS	SPOTWELD	WELD	ROBOT	PAINTSHOP	PLATING	HOT DIP GALV
1	SOL001-1023-17-001	SMALL ANGLE				0	1		1		2									3		
2	MIR SOL001-1023-17-001	SMALL ANGLE				0	1		1		2									3		
3	SOL001-1021-17-001	SIDE SUPPORT	1			0	2		1		2									3		
4	SOL001-1025-17-001	FOOT PIECE				0	2		1		2									3		
5	SOL001-1014-17-001	LARGE ANGLE LH	1			0	1		1		2									3		
6	SOL001-1014-17-001	LARGE ANGLE RH	1			0	1		1											3		
7	SOL001-1016-17-001	100L FOOT CHANNEL	1			0	1		1		2									3		
8						0																
9	<b><u>TUBE HOLDER:</u></b>					0																
10	SOL001-1077-17-001	100L TUBE HOLER NEW				0	1	-	1		2									3		
11	SOL001-1012-17-001	TUBE HOLDER 100L HP 10 TUBE				0	1		1		2									3		